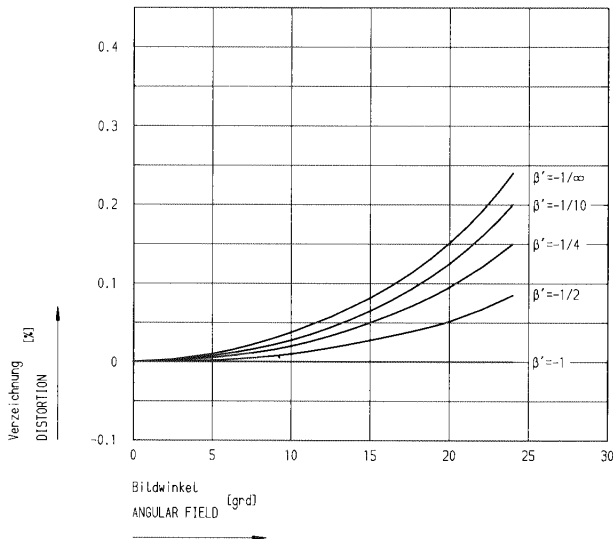


REPRO-HANDBUCH PROCESS LENS MANUAL

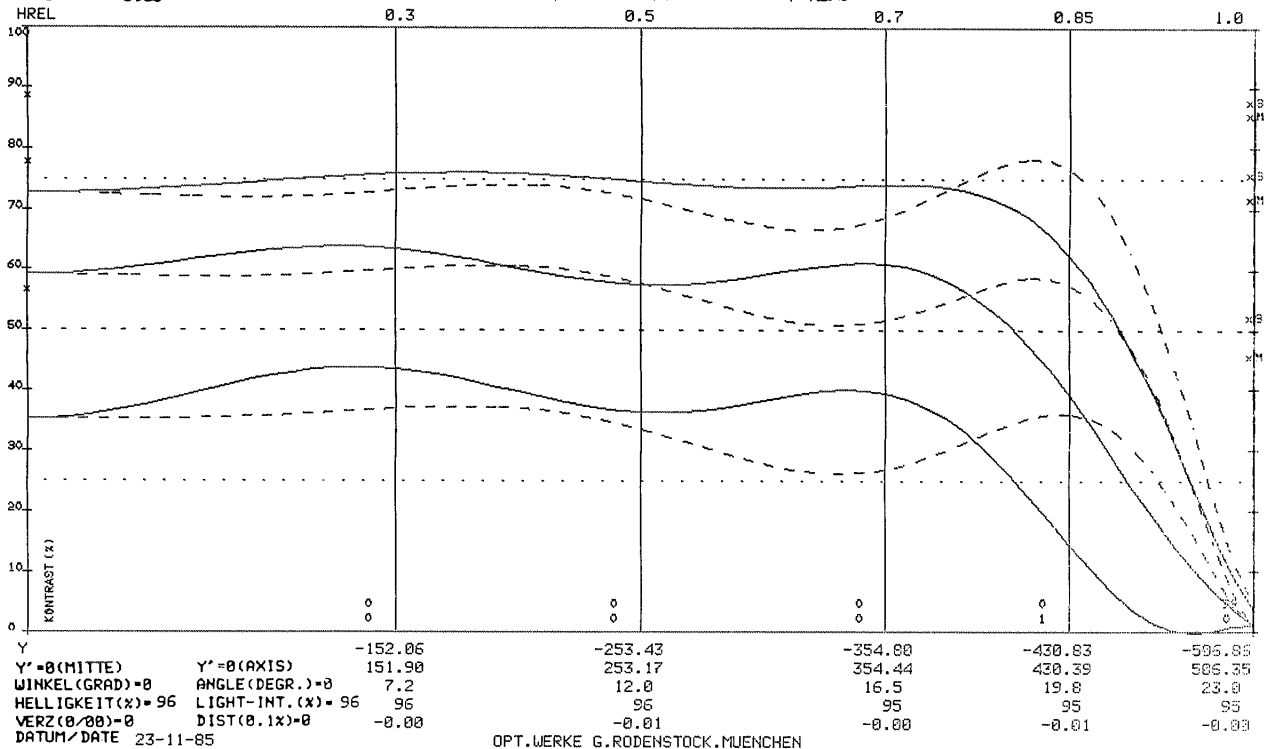
Apo-Ronar CL 1:9 f = 600 mm



MTF (BEUG.OPT.) UEBER BILDFELD
MTF (DIFFRACT.) OVER IMAGE FIELD

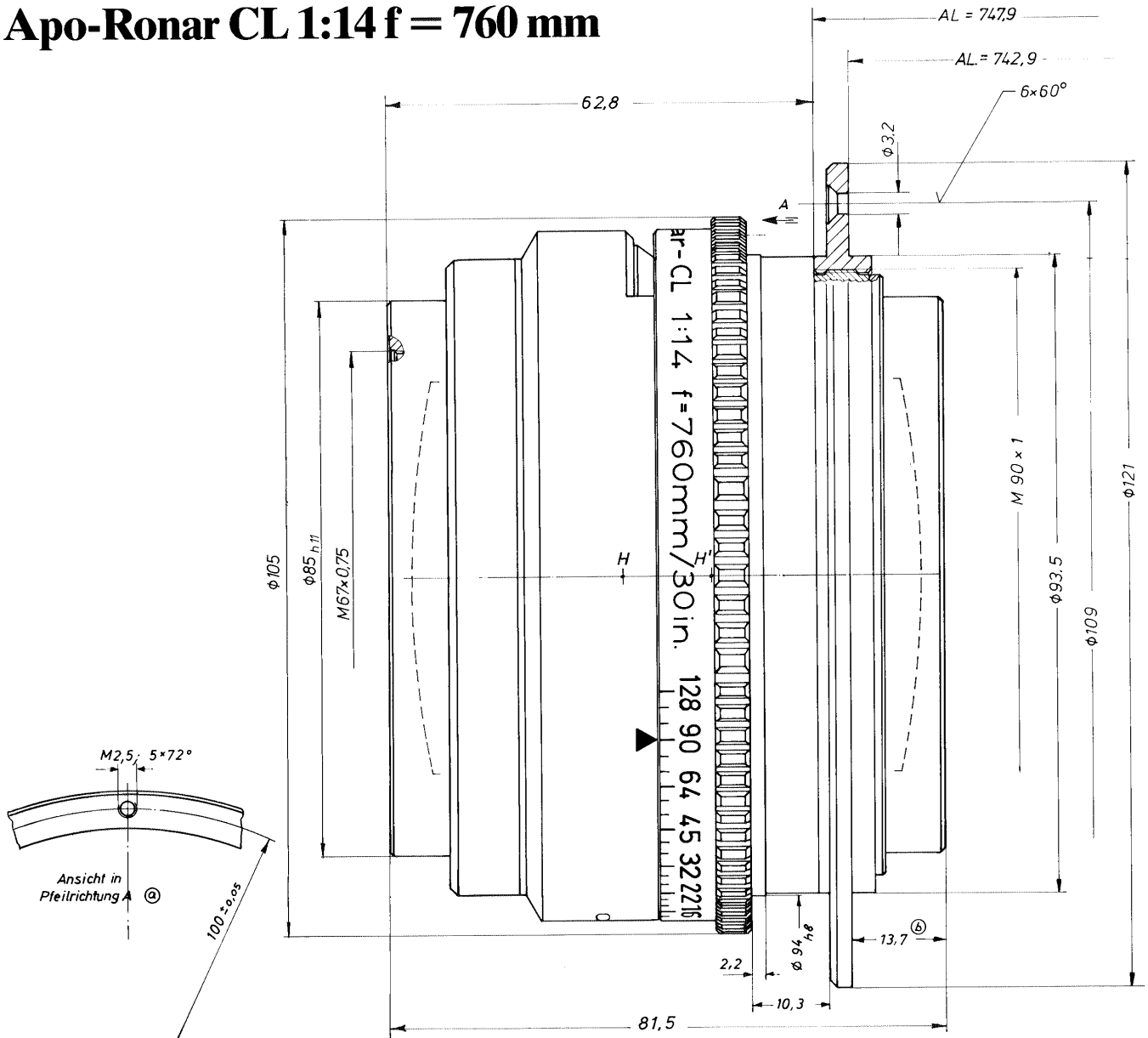
ED = -1.200 PA25(T) LAM 378.0 444.0 510.0 576.0 642.0
 FERED = VLAM BEW 50.0 95.0 89.0 54.0 21.0 30.0 100.0 13.0 54.0
 ORTSFREQUENZ: 4. 8. 16 1/MM
 SPATIAL FREQ:
 (X=BEUG. THEOR. WERT)
 (X=DIFFR. LIM. VAL.)
 XS = 0.00 BETA' = -1.000 BLENDENDURCHM = 24.32 BLENDENZ = 1: 22.0
 HREL 0.3 SCALE F-STOP DIAM. F-NUMB

AN 0
 ON 8903 - 0
 22.0 / 598.4



REPRO-HANDBUCH PROCESS LENS MANUAL

Apo-Ronar CL 1:14 f = 760 mm



Bestell-Nr. 306.0760.006.000
 Zeichnungsnummer 0676.003/3039.4
 Optik-Nr. 8139-00
 Zubehör 1 Filterhalter komplett 1008.004-823,
 nur auf Bestellung
 1 Schutzkappe 2406.136

optimaler
 Abbildungsmaßstab β'_{opt} -1
 effektive Brennweite f' 763,3
 Schnittweite s'_F 732,5
 Hauptpunktabstand HH' 13,03
 Bildwinkel $2w$ 40°

Alle nicht bezeichneten Maße sind Millimeterangaben

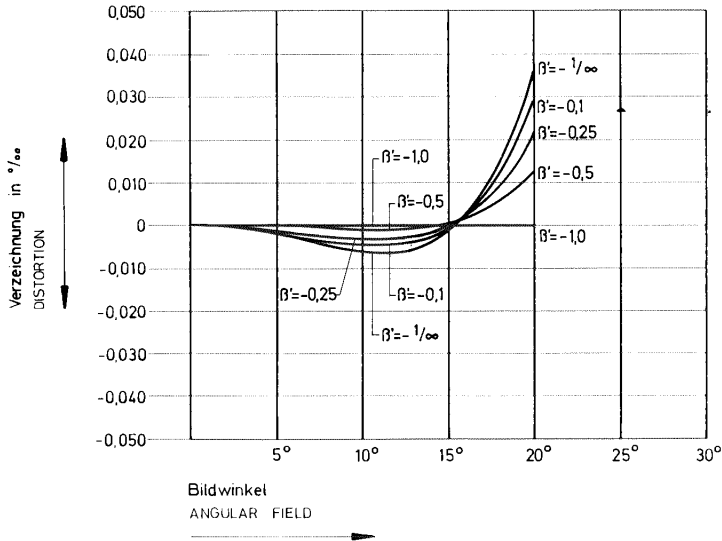
Order No. 306.0760.006.000
 Drawing No. 0676.003/3039.4
 Lens No. 8139-00
 Accessories 1 filter holder, complete 1008.004-823,
 to order only
 1 lens cap 2406.136

Optimum scale β'_{opt} -1
 Effective focal length f' 763.3 mm
 Rear focus s'_F 732.5 mm
 Separation of
 nodal points HH' 13.03 mm
 Angle of field $2w$ 40°

All sizes not otherwise indicated are in mm

REPRO-HANDBUCH PROCESS LENS MANUAL

Apo-Ronar CL 1:14 f = 760 mm



MTF (BEUG.OPT.) UEBER BILDFELD
MTF (DIFFRACT.) OVER IMAGE FIELD

AN 0

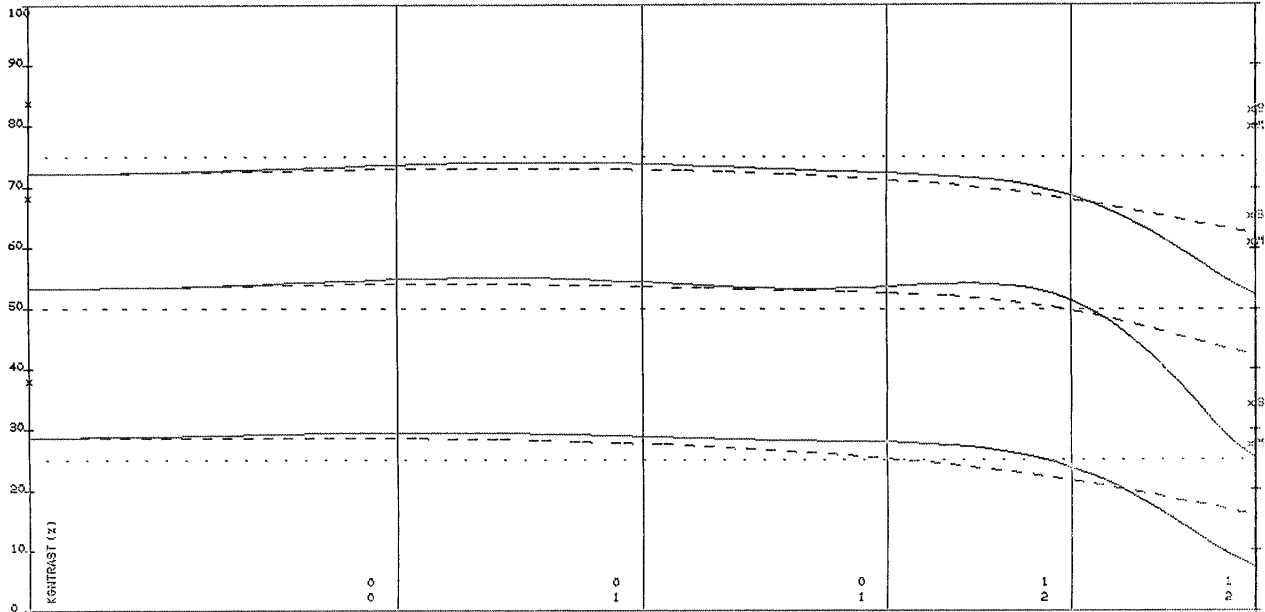
ED= -1.458 PA25(T) LAM 378.0 444.0 510.0 576.0 642.0
PERED= VLAM BEW 50.0 95.0 89.0 54.0 21.0 30.0 100.0 13.0 54.0
ORTSFREQUENZ: 4. 8. 16 1/MM
SPATIAL FREQ:
(X=BEUG. THEOR. WERT)
(X=DIFFR. LIM. VAL.)

ON 8139 - 0

32.0/ 763.3

XS= 0.00 BETA' = -1.000 BLENDENDURCHM= 21.66 BLENDENZ=1: 32.0
SCALE F-STOP DIAM. F-NUMB

HREL 0.3 0.5 0.7 0.85 1.0



Y' = 0 (MITTE)	Y' = 0 (AXIS)	-166.68	-277.81	-388.93	-472.27	-555.62
WINKEL (GRAD) = 0	ANGLE (DEGR.) = 0	166.53	277.54	388.56	471.83	555.09
HELLIGKEIT (X) = 96	LIGHT-INT. (X) = 96	6.2	10.3	14.3	17.2	20.0
VERZ (0/00) = 0	DIST (0.1X) = 0	96	96	94	94	95
DATUM/DATE 23-11-85		0.00	0.00	0.00	0.00	0.00

OPT. WERKE G. RODENSTOCK, MÜNCHEN